

**Frozen  
 Frozen granita dispenser with 2 bowls,  
 mechanical control and lighted panel,  
 UV light**

ITEM # \_\_\_\_\_

MODEL # \_\_\_\_\_

NAME # \_\_\_\_\_

SIS # \_\_\_\_\_

AIA # \_\_\_\_\_



**562532 (IPRO2MLUVR290)** Frozen Granita Dispenser with 2X11 l insulated bowls, UV light, mechanical control and lighted panel, R290

### Short Form Specification

**Item No.** \_\_\_\_\_

Frozen granita dispenser with 2 bowls; the ITANK™ Technology prevents ice accumulation on the outer side of the bowl and the bowl shape allows a natural mixing action to ensure an optimum consistency of the product. Customizable lid merchandiser and back graphic. Mechanical keypad allows for setting of cooling and defrost modes. Exclusive nUV LED system for bowl sanitation. Front illuminated panel provides customers with the opportunity to advertise their product and maximise impulse buying. Electromechanical control. Sliding drip tray.

### Main Features

- The insulated tank guarantees higher cooling efficiency and lower effect of the external temperature on product's preparation and maintenance time reducing condense and draining; it is the best solution in hot climate conditions.
- Ideal for the production of slush.
- The ITANK™ Technology prevents ice accumulation on the outer side of the bowl, reducing condensation and increasing the cooling power of the machine.
- Bowl shape allows a natural mixing action to ensure an optimum consistency of the product.
- Customizable lid merchandiser and back graphic.
- Ideal for operators who want an innovative and distinctive equipment. Mechanical keypad allows for setting of cooling and defrost modes.
- The front illuminated panel provides customers with the opportunity to advertise their product and maximise impulse buying.
- Exclusive nUV LED system for bowl sanitation.

### Construction

- Electromechanical control.
- Sliding drip tray.

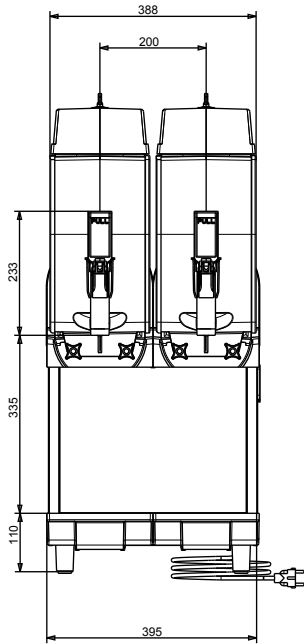
**APPROVAL:** \_\_\_\_\_



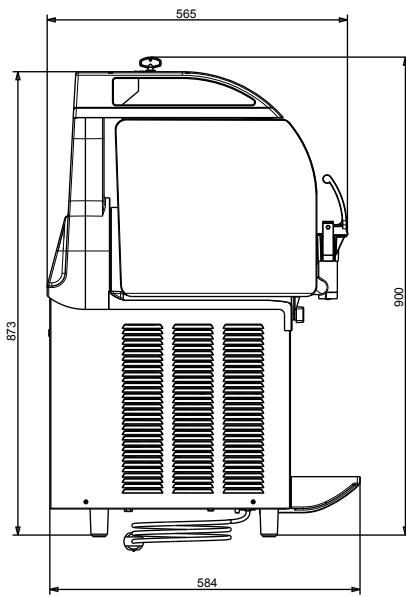
**Electrolux**  
PROFESSIONAL

**Frozen**  
Frozen granita dispenser with 2 bowls,  
mechanical control and lighted panel, UV light

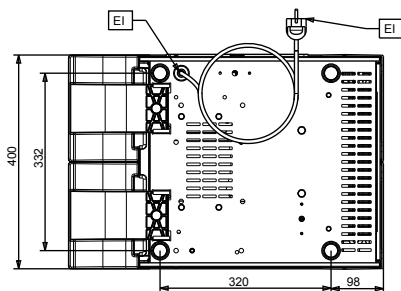
Front



Side



Top



**Frozen**  
Frozen granita dispenser with 2 bowls, mechanical control and lighted  
panel, UV light  
The company reserves the right to make modifications to the products  
without prior notice. All information correct at time of printing.

### Electric

Supply voltage: 220-240 V/1 ph/50 Hz  
Electrical power, max: 0.83 kW

### Key Information:

Net weight: 60 kg

### Sustainability

Refrigerant type: R290  
Refrigerant weight (unit 1): 106 g